



Rear Engine Rider

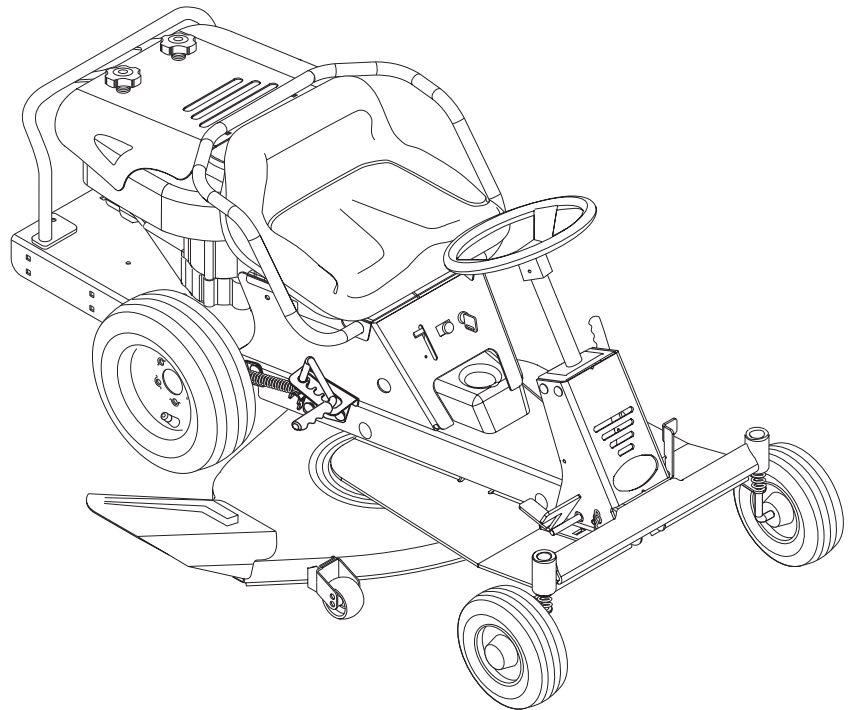
Parts Manual

Models

927060 - RM1028

927062 - RM1232

927064 - RM1440



THE MANUAL

Before you operate your unit, carefully and completely read manuals supplied with the unit. The contents will provide you with an understanding of safety instructions and controls during normal operation and maintenance.

For your safety and the safety of others always read, understand, and follow all DANGER, WARNING, and CAUTION messages found in manuals and on safety decals.

Hardware descriptions are given in decimals.

Decimals to Fractions			
.063	1/16	.563	9/16
.125	1/8	.625	5/8
.188	3/16	.688	11/16
.250	1/4	.750	3/4
.313	5/16	.813	13/16
.375	3/8	.875	7/8
.438	7/16	.938	15/16
.500	1/2	1.00	1

SERVICE AND REPLACEMENT PARTS

When ordering replacement parts or making service inquiries, know the Model and Serial numbers of your unit and engine.

Numbers are located on the product registration card in the unit literature package. They are printed on a serial number label, located on the frame of your unit.

- Record Unit Model and Serial numbers here:

- Record Engine Model and Serial numbers here:

UNAUTHORIZED REPLACEMENT PARTS

Use only Gravelly replacement parts. The replacement of any part on this vehicle with anything other than an Gravelly authorized replacement part may adversely affect the performance, durability, or safety of this unit and may void the warranty. Gravelly disclaims liability for any claims or damages, whether warranty, property damage, personal injury or death arising out of the use of unauthorized replacement parts.

PRODUCT REGISTRATION

The Gravelly dealer must register the product at the time of purchase. Registering the product will help the company process warranty claims or contact you with the latest service information. All claims meeting requirements during the limited warranty period will be honored, whether or not the product registration card is returned. Keep a proof of purchase if you do not register your unit.

Customer Note: If Dealer does not register your product, please fill out, sign and return the product registration card to Gravelly or go to www.gravelly.com.

YOUR SATISFACTION IS IMPORTANT

Questions? Please follow these helpful steps:

1. Refer to the manuals supplied with your unit.
They will guide you through safe and proper operation and maintenance.
They contain specifications on your unit.
If your questions are not answered in these manuals, go to step number two.
2. Contact Your Dealer.
Our dealers will be happy to supply any service or advice required to keep your unit operating at peak efficiency.
A factory trained staff is available to support your equipment needs. They stock genuine Gravelly parts and lubricants manufactured with the same precision and skill as the original.
If your questions are not resolved by the support staff, ask for the manager or owner.
When contacting your Dealer supply your model and serial numbers.

TO SPEED PARTS ORDERING:

1. Know the model and serial numbers of your unit.
2. Know the part number required.
3. Know the quantity required.
4. Know the part description.

MODELS

927060 (1028)

10 H.P. 28" Hydro
Serial No. 000400 and up

927062 (1232)

12 H.P. 32" Hydro
Serial No. 000400 and up

927064 (1440)

14 H.P. 40" Hydro
Serial No. 000400 and up

TABLE OF CONTENTS

DECALS

Decals 4

FRAME, ENGINE, CONTROLS AND FUEL

Frame, Hood and Seat 6

Engine 8

Brake System 9

Steering and Front Wheels 10

Rear Wheels and Hydro Drive 12

Gas Tanks 14

Deck Lift 15

ELECTRICAL SYSTEMS

Electrical System 16

Continuity Diagram 18

Wiring Diagram 19

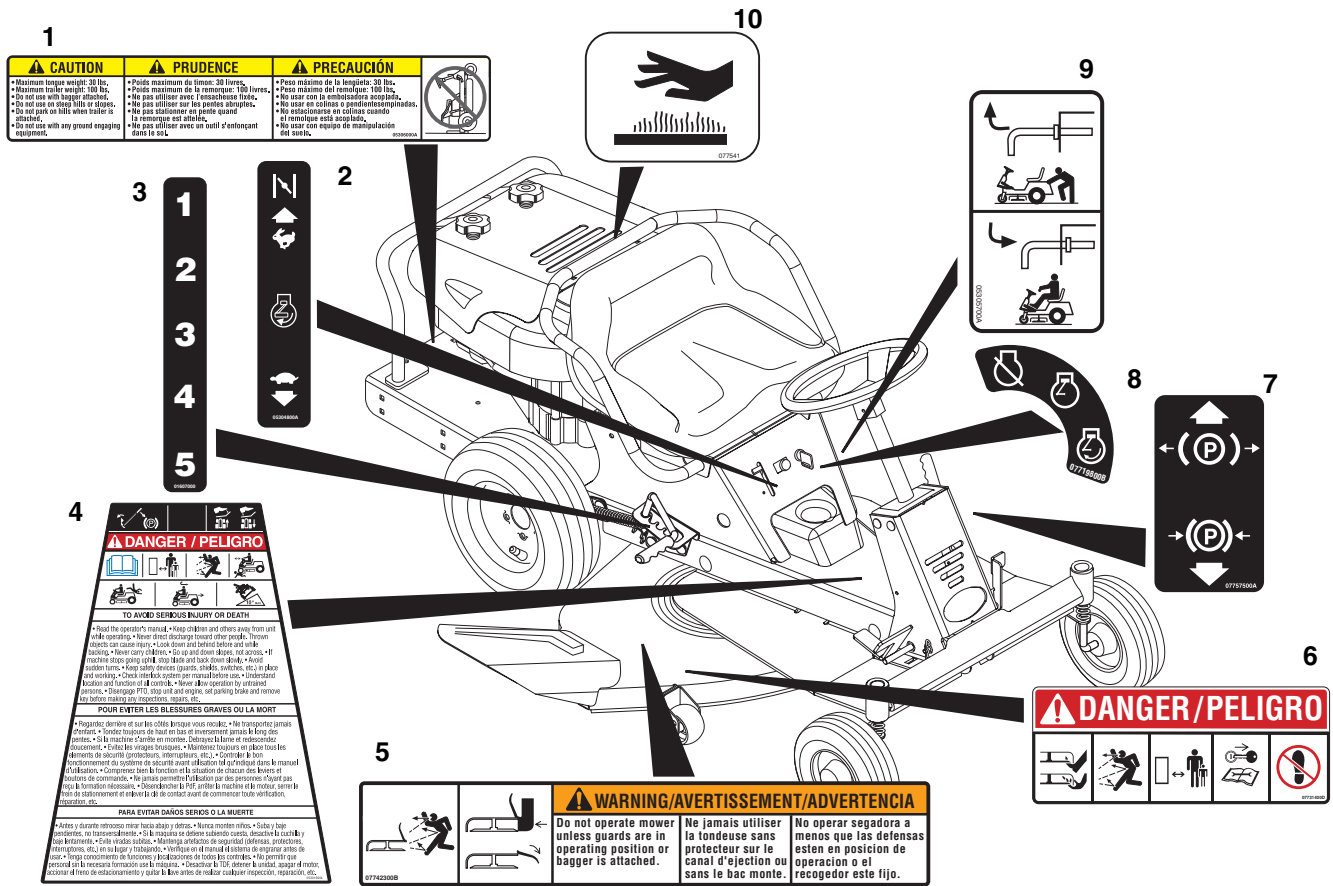
DECKS

28" and 32" Decks, Belts, and Blades 20

40" Deck, Belts, Blades and Idlers 22

DECALS-SAFETY & OPERATIONAL

Model 927060, 062, 064

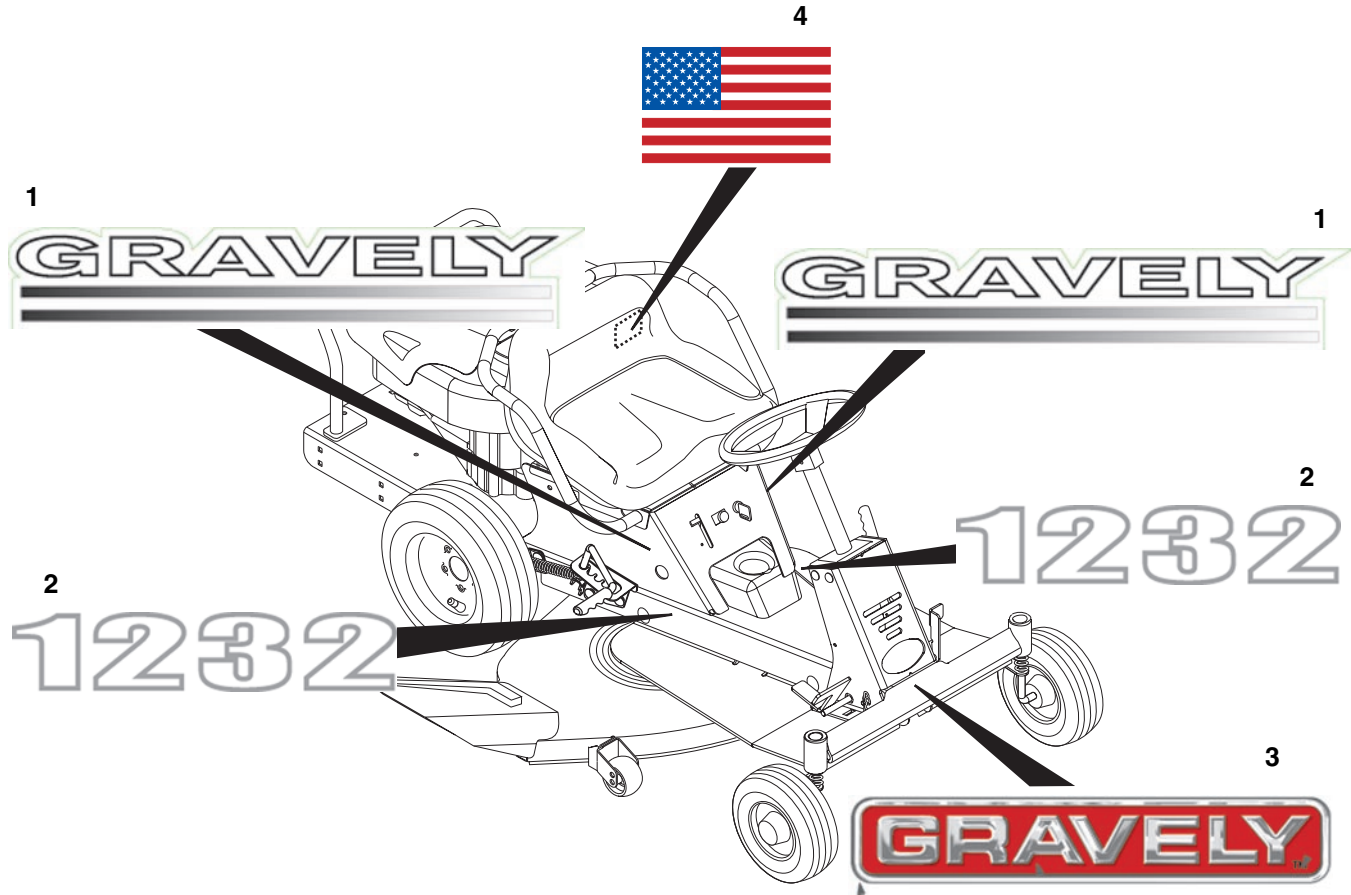


Item	Part No.	Qty.	Description
1	05306000	1	Decal, Trailer Hitch
2	05304800	1	Decal, Throttle
3	01607000	1	Decal, 5 Position Cut Height
4	05301600	1	Decal, Rear Engine Rider Warning
5	07742300	1	Decal, Warning
6	07731400	2	Decal, Mower Pan Danger
7	07757500	1	Decal, Parking Brake Lever
8	07719800	1	Decal, Ignition
9	05305700	1	Decal, Transmission Disconnect
10	07754100	1	Decal, Hot Surface

PA0410

DECALS-STYLE

Model 927060, 062, 064

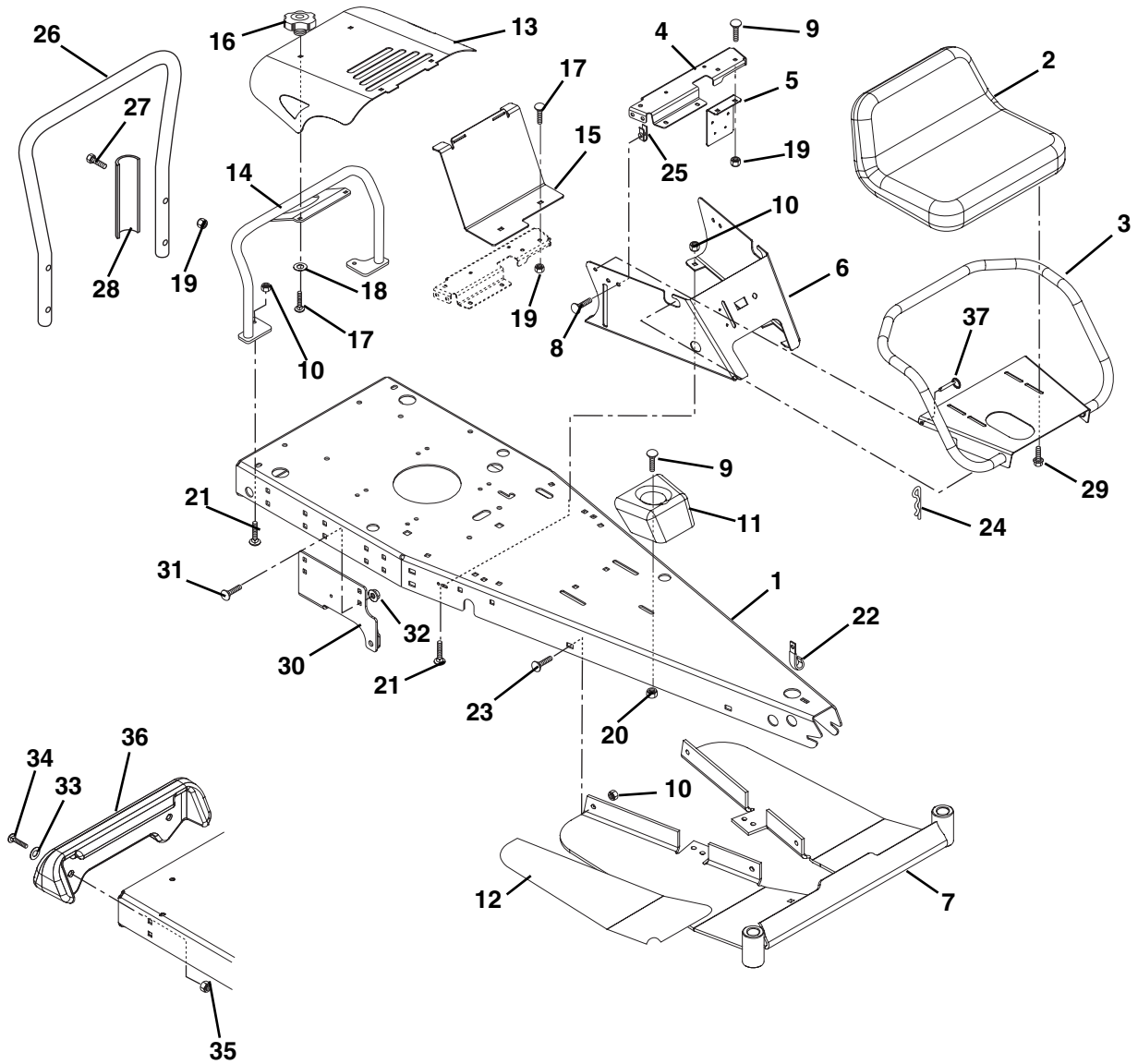


PA0291

Item	Part No.	Qty.	Description
1	05304300	2	Decal, Gravely ZT
2	05303600	2	Decal, Rear Engine Rider Gravely 1232 (062)
	05303200	2	Decal, Rear Engine Rider Gravely 1028 (060)
	05304000	2	Decal, Rear Engine Rider Gravely 1440 (064)
3	05223900	1	Decal, Gravely
4	05305100	1	Decal, American Flag

FRAME, HOOD AND SEAT

Model 927060, 062, 064



PA0401

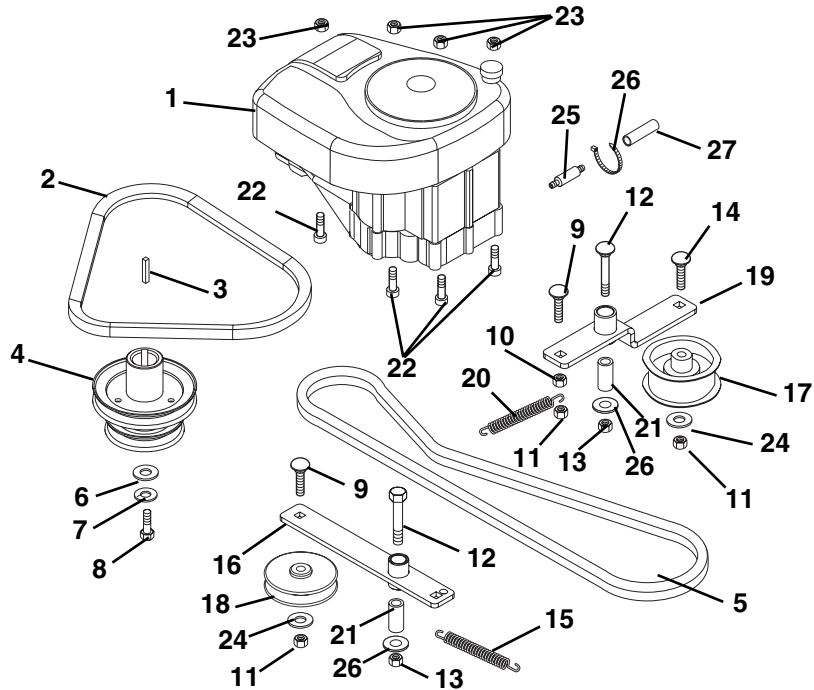
FRAME, HOOD AND SEAT

Model 927060, 062, 064

Item	Part No.	Qty.	Description
1	02780151	1	Frame
2	01597000	1	Seat-Low Back TS2300
3	02775851	1	Weldment, Seat Plate and Armrest
4	02764451	1	Reinforcement, Seat Support
5	02766151	1	Panel, Solenoid Mounting
6	02760353	1	Seat Support
7	02760253	1	Weldment-Footrest
8	07049400	4	Bolt-Serrated Hex Flange Washer Head .25-20 x .75
9	06226700	3	Bolt, Round Head Square Neck .31-18 x .75 Grade 5
10	06544500	15	Nut, Locking Top Flange .38-16
11	02768500	1	Cupholder
12	02771700	1	Grip, Rear Engine Rider Footrest Left Hand
	02771800	1	Grip, Rear Engine Rider Footrest Right Hand
13	02771453	1	Engine-Hood (064)
14	02771651	1	Weldment Tube (064)
15	02771551	1	Bracket, Hood Support (064)
16	07534800	2	Knob, Clamping .31-18 Nyloc (064)
17	06221800	4	Bolt-Round Head Square Neck .31-18 x 1.00 (064)
18	040380	2	Nut-Push .312 (064)
19	06544400	6	Nut-Locking-Top-Flange .31-18
20	06530400	1	Nut-Spin Lock-Flange .312-18
21	06227000	6	Bolt-Round Head Square Neck .38-16 x .75 Grade 5
22	036518	1	J-Clamp
23	06226600	4	Bolt-Round Head Square Neck .38-16 x 1.00 Grade 5
24	06711900	1	Pin-Hair-External .12 x .31 x 2.37
25	032369	4	Nut-Retainer .25-20 x .56
26	02701251	1	ube (060, 062)
27	05952400	4	Bolt, Hex .31-18 x 1.50 Grade 5 (060, 062)
28	02722700	2	Brace (060, 062)
29	00591400	4	Bolt-Serrated Hex Flange Washer Head .31-18 x 1
30	02774900	1	Bracket, Transmission - Right Hand
	02775000	1	Bracket, Transmission - Left Hand
31	06227000	8	Bolt, Round Head Square Neck .38-16 x .75 Grade 5
32	06544500	8	Nut, Locking Top Flange .38-16
33	06435900	2	Washer-Flat-Steel .438 x 1.00 x .083 (Optional)
34	05958500	2	Bolt-Hex .38-16 x 1.75 Grade 5 (Optional)
35	06544500	4	Nut-Locking-Top-Flange .38-16 (Optional)
36	01595251	1	Weight (Optional)
37	07003300	1	Pin, Detent with Ring .25 x 1.00

ENGINE

Model 927060, 062, 064

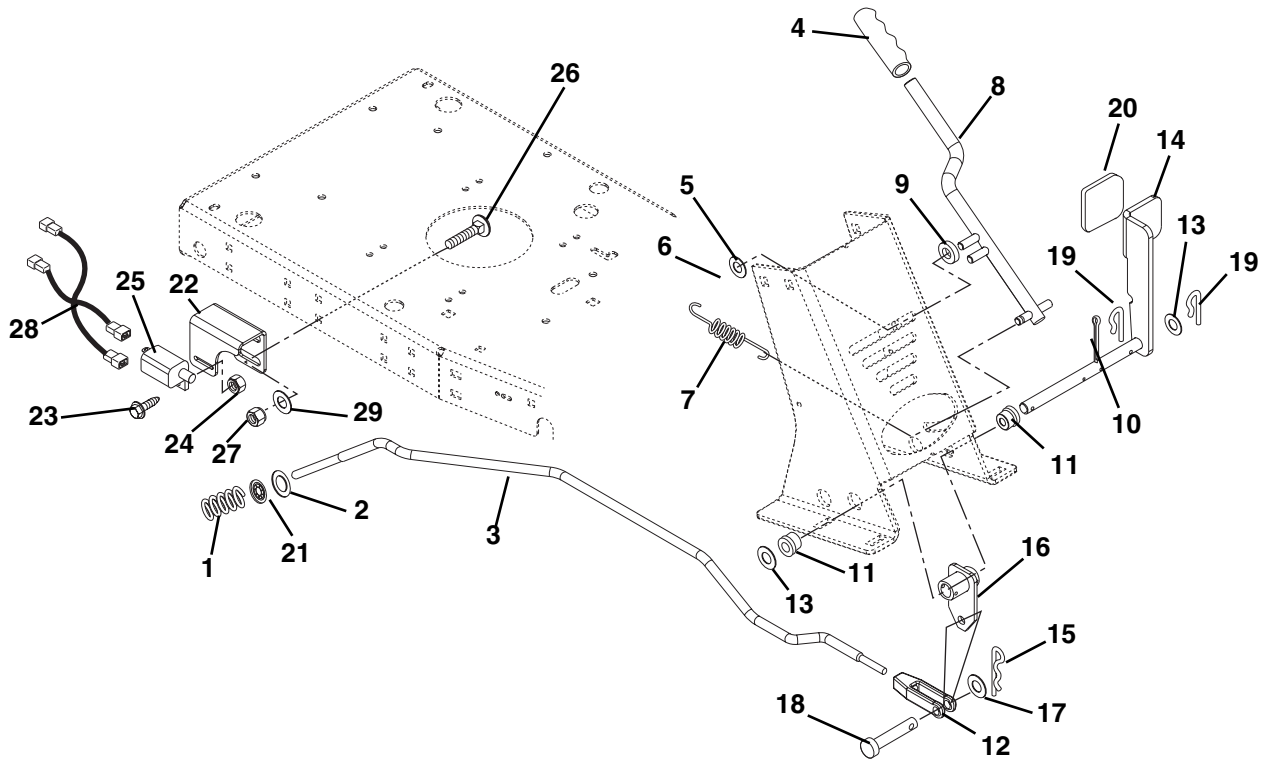


PA0320

Item	Part No.	Qty.	Description
1	52710400	1	Group, Engine 12HP Intek (062)
	52710300	1	Group, Engine 10HP Intek (060)
	52710500	1	Group, Engine 14HP Intek (064)
2	036233	1	V-Belt 4L-Section 30.219 x .547
3	06601800	1	Key, Straight .25 x 1.75 x .25
4	02775700	1	Stack, Sheave (060, 062)
	02778900	1	Stack, Sheave (064)
5	02742400	1	Belt, PTO (062)
	07242500	1	Belt, PTO (060)
	07246200	1	Belt, PTO (064)
6	06443500	1	Washer, Flat Steel .463 x 1.375 x .25
7	06309300	1	Washer, Locking .44 x .109 Regular
8	05967500	1	Bolt, Hex .44-20 x 1.75 Grade 5
9	06224100	1	Bolt-Round Head Square Neck .38-16 x 1.25 Grade 5
10	06534900	1	Nut-Flange .375-16
11	06544500	2	Nut, Locking Top Flange .38-16
12	05961000	2	Bolt, Hex .50-13 x 2.25 Grade 5
13	06535100	2	Nut, Locking Nylock Thin .50-13
14	06224300	1	Bolt-Round Head Square Neck .38-16 x 2.00 Grade 5
15	011263	1	Spring, Tension .095 x .50 x 5.50
16	02775400	1	Idler, Drive
17	07309200	1	Idler, V 3 x .38
18	048870	1	Sheave 3.25 x 1.25
19	02776400	1	Idler, 32" Deck PTO (060, 062)
	02779100	1	Idler, 40" Deck PTO (064)
20	047314	1	Spring, Extension.093 x .75 x 4.00
21	05516400	2	Bushing-Sleeve .50 x .75 x 1.56
22	05972700	4	Screw, Socket Head Button Head .31-18 x 1.50 Grade 8
23	06544400	4	Nut-Locking-Top-Flange .31-18
24	06435700	2	Washer-Flat-Steel .38 x .875 x .083
25	07067800	1	Valve, Oil Drain
26	036313	1	Cable Tie
27	01590900	1	Tube, Oil Drain
28	06442000	2	Washer-Flat-Steel .563 x 1.38 x .109

BRAKE SYSTEM

Model 927060, 062, 064

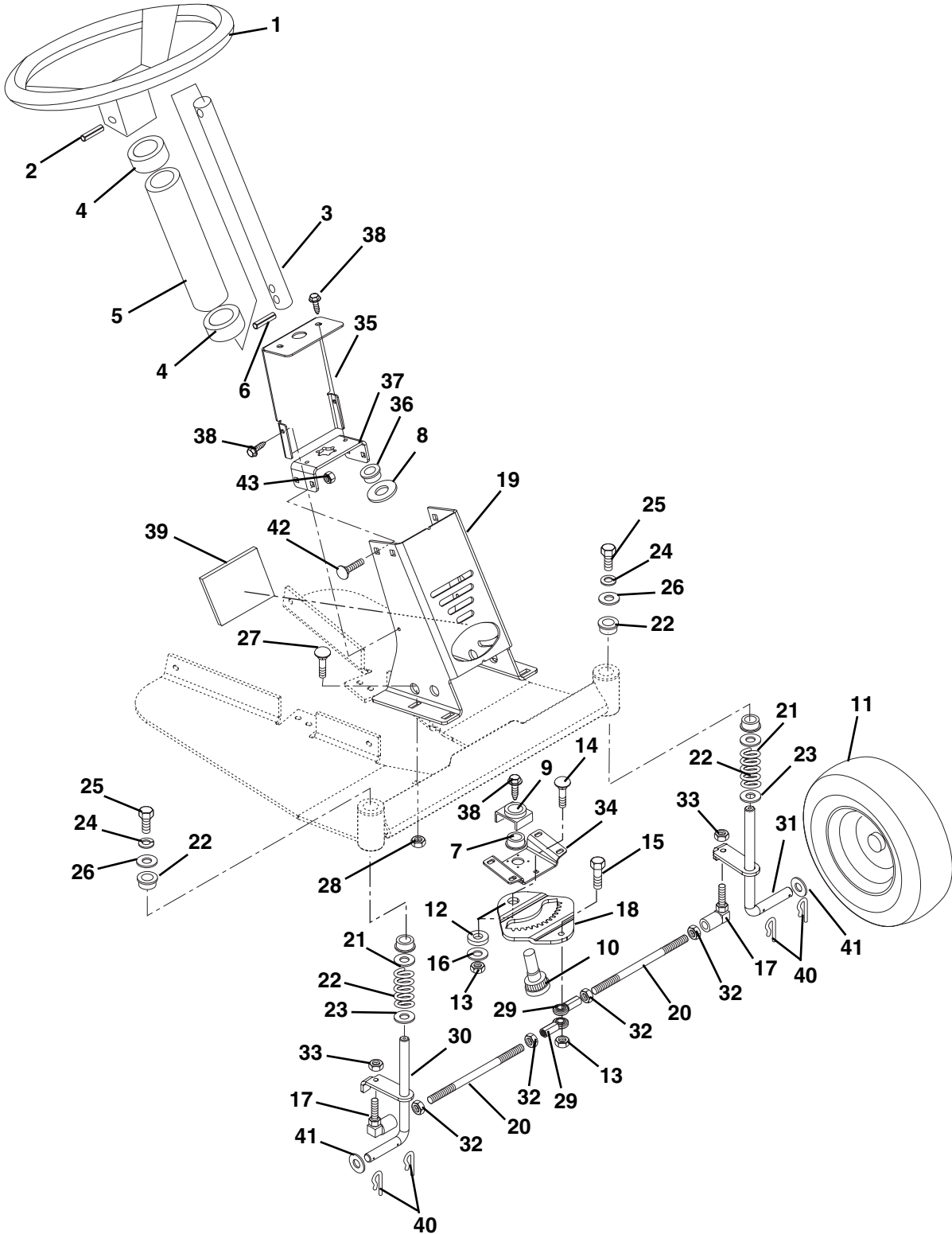


PA0340

Item	Part No.	Qty.	Description
1	08327100	1	Spring, Compression .080 x .52 x 2.90
2	06447800	1	Washer, Flat Steel .33 x 2.125 x .098
3	02776500	1	Rod, Brake
4	07527500	1	Grip
5	06435700	1	Washer, Flat Steel .38 x .875 x .083
6	06544500	1	Nut, Locking Top Flange .38-16
7	08330300	1	Spring, Tension .048 x .44 x 2.12
8	02777300	1	Weldment, Parking Brake
9	024815	1	Bushing, Flange .406 x .88 x .27 x .140 Grade 2
10	06707100	1	Pin, Cotter .12 x 1.00 Extended Prong Square Cut
11	034738	2	Bushing, Flange .515 x .75 x .745 x 1.00 Nylon
12	034633	1	Yoke, .312-24 x 2.25
13	06439200	2	Washer, Flat Steel .505 x 1.00 x .062
14	02761800	1	Weldment, Brake Pedal
15	06714800	1	Pin, Hair
16	02762100	1	Brake Rod Arm and Hub
17	06439100	1	Washer, Flat Steel .38 x .87 x .179
18	06811800	1	Pin, Clevis .312 x .822
19	06944800	2	Clip, Spring
20	02773900	1	Grip, Pedal
21	06514900	1	Nut-Push .312
22	02781051	1	Bracket, Switch Mount
23	06116900	2	Screw, Machine 10-24 x .75 Hex Washer Head
24	06536000	2	Nut, Locking Nylon 10-24 with Insert
25	03657100	1	Switch, Single Pole (N.O.)
26	06226600	2	Bolt, Round Head Square Neck .38-16 x 1.00 Grade 5
27	06535800	2	Nut, Locking Nylon .38-16
28	02781100	1	Jumper, Harness
29	06436200	2	Washer, Flat Steel .406 x .812 x .065

STEERING AND FRONT WHEELS

Model 927060, 062, 064



PA0242

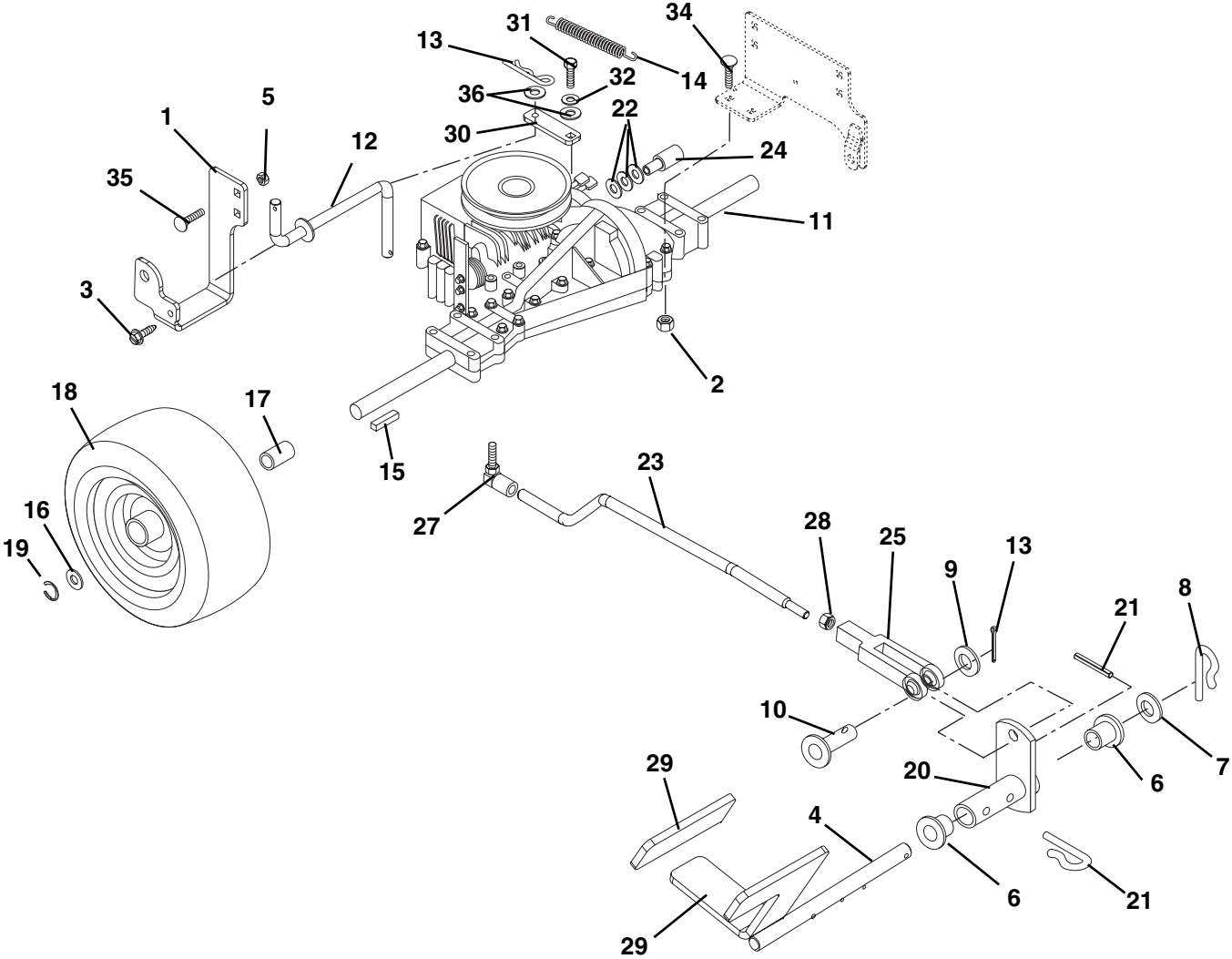
STEERING AND FRONT WHEELS

Model 927060, 062, 064

Item	Part No.	Qty.	Description
1	02753700	1	Steering Wheel 13 Inch
2	05803700	1	Pin, Roll .25 x 1.75
3	02749100	1	Steering Shaft
4	07503700	2	Plug
5	02753800	1	Tube
6	05804600	2	Pin, Roll .188 x .75
7	05505300	1	Bushing, Flange .625 x 1.156 x .375
8	06418100	1	Washer, Hardened Steel .515 x .97 x .062
9	01310000	1	Retaining Plate1
10	02705400	1	Pinion
11	07126400	2	Tire/Wheel Assembly
	07108000	2	Tire 4.10/3.50 - 4
	05505800	4	Bushing, Flange .75 x 1.38 x .75 x 1.557
12	02768400	1	Spacer, Steering Gear
13	06544500	2	Nut, Locking Top Flange .38-16
14	06226600	1	Bolt, Round Head Square Neck .38-16 x 1.00 Grade 5
15	05958500	1	Bolt-Hex .38-16 x 1.75 Grade 5
16	06442400	1	Washer, Flat Steel .406 x 1.375 x .135
17	02917100	2	Ball Joint
18	02761300	1	Steering Gear
19	02775553	1	Box, Steering
20	02765700	2	Steering Link
21	02765800	2	Spring, Suspension
22	01591100	4	Bushing 1.00 x .75 x 1.00
23	06427600	4	Washer-Flat-Steel .70 x 1.47 x .134
24	06308600	2	Washer, Locking .31 x .078 Regular
25	05947000	2	Bolt, Hex .31-18 x .75 Grade 5
26	06442400	2	Washer, Flat Steel .406 x 1.375 x .135
27	06227000	4	Bolt, Round Head Square Neck .38-16 x .75 Grade 5
28	06544400	4	Nut, Locking Top Flange .38-16
29	044753	2	Rod End, .38 Right Hand
30	02765900	1	Weldment, Spindle Right Hand
31	02766000	1	Weldment, Spindle Left Hand
32	06534700	4	Nut, Jam .375-24
33	06538800	2	Nut, Locking Nylon .375-24 With Insert
34	02761451	1	Steering Gear Support
35	02771200	1	Bracket, Steering Column
36	036046	1	Bushing, Flange
37	02760600	1	Support, Steering Column
38	07413400	4	Screw, Tapping .312-18 x .50 Hex Washer Head
39	02769900	1	Cover, Light
40	06714500	4	Pin, Spring Clip
41	06441500	4	Washer, Flat Steel .755 x 1.375 x .062
42	06226700	4	Bolt-Round Head Square Neck .31-18 x .75 Grade 5
43	06530200	4	Nut-Locking-Nylon .312-18

REAR WHEEL AND HYDRO DRIVE

Model 927060, 062, 064



PA0391

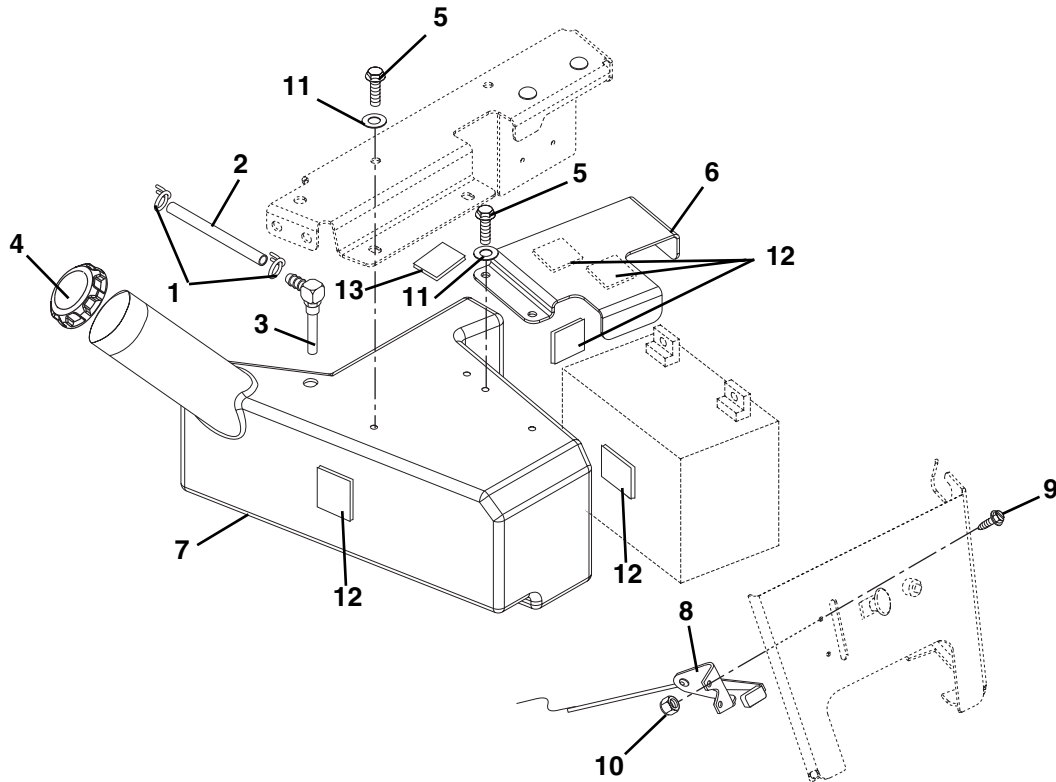
REAR WHEEL AND HYDRO DRIVE

Model 927060, 062, 064

Item	Part No.	Qty.	Description
1	02775100	1	Support, Transmission
2	06514400	4	Nut, Flange .50-13
3	07414400	1	Screw-Tapping .31-18 x .75 Hex Washer Head
4	02761600	1	Weldment, Forward and Reverse Pedal
5	06544500	2	Nut, Locking Top Flange .38-16
6	034738	2	Bushing, Flange .515 x .75 x .745 x 1.00
7	06439200	2	Washer, Flat Steel .505 x 1.00 x .062
8	06944800	2	Clip, Spring
9	06439100	1	Washer, Flat Steel .38 x .87 x .179
10	06811800	1	Pin, Clevis .31 x .822
11	02776800	1	Transmission Peerless Hydro
12	02775300	1	Rod, Transmission Disconnect
13	06714800	2	Pin, Hair
14	08321100	1	Spring, Tension .043 x .44 x 3.31
15	036282	2	Key, Square .188 x 2.0 x .188
16	06444200	2	Washer, Flat Steel .755 x 1.25 x .125
17	02765400	2	Spacer, Wheel .75 x 1.00 x 1.25
18	02765300	2	Assembly, Tire and Wheel 16 x 6.5 x 8 (060, 062)
	07159000	2	Assembly, Tire and Wheel 480 x 8 (064)
	039653	2	Tire 16 x 6.50-8 2 Pulley
19	036278	2	Ring, Retaining External .75 x .05
20	02761700	1	Weldment, Shift Rod and Hub
21	06707100	1	Pin, Center .12 x 1.00 Extended Prong Square Cut
22	06439200	3	Washer, Flat, Steel .50 x 1.00 x .062
23	02776600	1	Rod, Rear Engine Rider Shift
24	01582300	1	Trunnion
25	034633	4	Yoke .31-24 x 2.250
26	06444300	1	Washer, Flat Steel .390 x .750 x .125
27	02917100	1	Ball Joint
28	06538800	2	Nut-Locking-Nylon .375-24 With Insert
29	02773900	2	Grip, Pedal
30	02781600	1	Tab, Transmission Disconnect
31	05952300	1	Bolt-Hex .25-28 x .75 Grade 5
32	06308400	1	Washer, Locking .25 x .062 Regular
33	06437500	1	Washer, Flat Steel .328 x 1.00 x .094
34	06219400	8	Bolt, Round Head Square Neck .31-18 x 2.50 Grade 5
35	06227000	2	Bolt, Round Head Square Neck .38-16 x .75 Grade 5
36	06435700	1	Washer, Flat Steel .38 x .875 x .083

GAS TANKS

Model 927060, 062, 064



PA0350

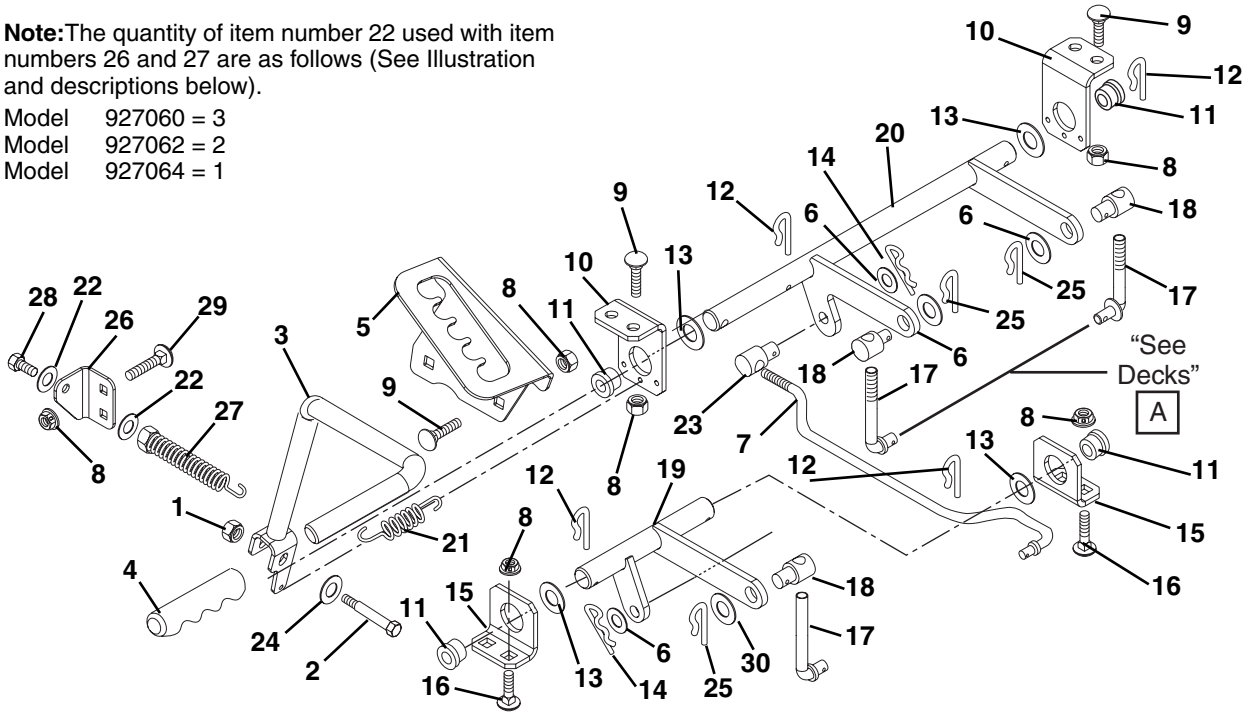
Item	Part No.	Qty.	Description
1	06939100	2	Clamp, Hose Wire .490/.510 x .116
2	021134	1	Gas Line, Bulk 1/4" I.D.
3	03606500	1	Fitting, Tank
4	01538400	1	Fuel Cap
5	07049400	4	Bolt, Serrated Hex Flange Washer Head .25-20 x .75
6	02771351	1	Bracket, Battery
7	02765100	1	Tank, Fuel
8	01588600	1	Cable, Throttle
9	06116700	2	Screw, Machine 10-24 x .50 Hex Washer Head
10	06536000	2	Nut, Locking Nylon 10-24 with Insertg
11	06308600	4	Washer-Locking .31 x .078 Regular
12	03645700	5	Pad, Foam
13	00932300	AR	VHB Tape

DECK LIFT

Model 927060, 062, 064

Note: The quantity of item number 22 used with item numbers 26 and 27 are as follows (See Illustration and descriptions below).

Model 927060 = 3
 Model 927062 = 2
 Model 927064 = 1

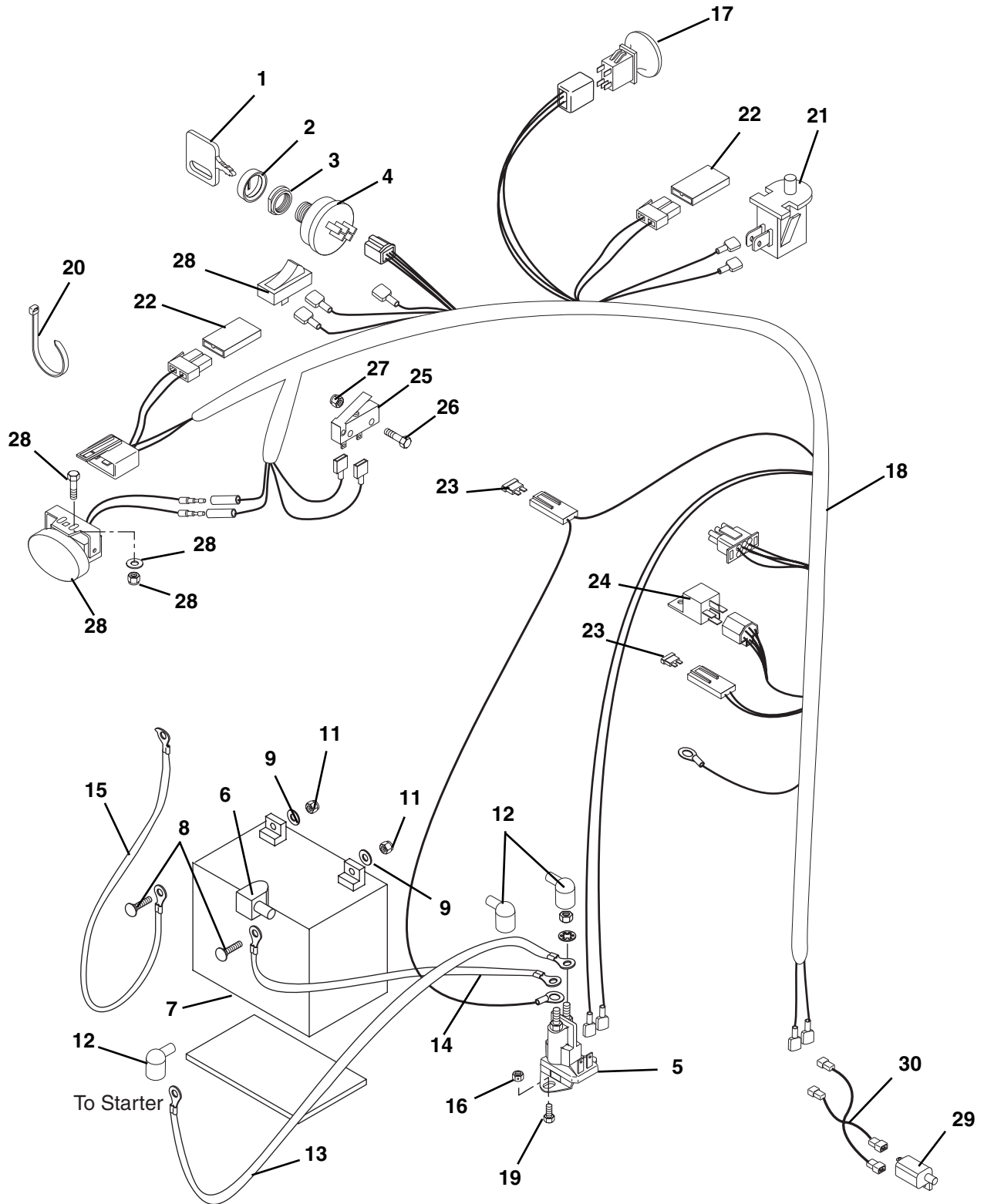


PA0382

Item	Part No.	Qty.	Description
1	06544400	1	Nut, Locking Top Flange .31-18
2	05980300	1	Bolt, 1.25 Socket Shoulder Plain
3	01606851	1	Weldment, Lift Handle
4	07527500	1	Grip
5	01607351	1	Detent Plate
6	06436400	7	Washer, Flat Steel .511 x 1.44 x .125
7	02776300	1	Rod, Deck Lift
8	06544500	8	Nut, Locking Top Flange .38-16
9	06227000	4	Bolt, Round Head Square Neck .38-16 x .75 Grade 5
10	02762800	2	Bracket, Lift
11	05503900	4	Bushing, Flange .75 x 1.00 x .625 x 1.25
12	06714500	4	Pin, Spring Clip
13	06443900	4	Washer, Flat Steel .563 x 1.38 x .109
14	06714900	2	Pin, Hair #16
15	02762700	2	Bracket, Deck Pivot
16	06226600	4	Bolt, Round Head Square Neck .38-16 x 1.00 Grade 5
17	02778100	3	Rod, Link (060, 062)
	02778100	2	Rod, Link (064)
18	01590400	3	Trunnion (030)
	01590400	2	Trunnion (064)
19	02762500	1	Weldment, Front Lift (060, 062)
	02779800	1	Weldment, Front Lift (064)
20	02762600	1	Weldment, Lift
21	08333900	1	Spring, Extension
22	06443800	3	Washer, Flat Steel .43 x 1.00 x .16 (060)
	06443800	2	Washer, Flat Steel .43 x 1.00 x .16 (062)
	06443800	1	Washer, Flat Steel .43 x 1.00 x .16 (064)
23	02779500	1	Pivot, Rod
24	06443800	1	Washer, Flat Steel .43 x 1.00 x .160
25	06944800	2	Clip, Spring
26	01606551	1	Bracket, Spring Anchor
27	08354300	1	Spring, Tension .195 x 1.15 x 5.50
28	05957900	1	Bolt-Hex .38-16 x 1.50 Grade 5
29	06227000	2	Bolt, Round Head Square Neck .38-16 x .75 Grade 5
30	06442000	1	Washer, Flat Steel .563 x 1.38 x .109

ELECTRICAL SYSTEM

Model 927060, 062, 064



PA0281

ELECTRICAL SYSTEM

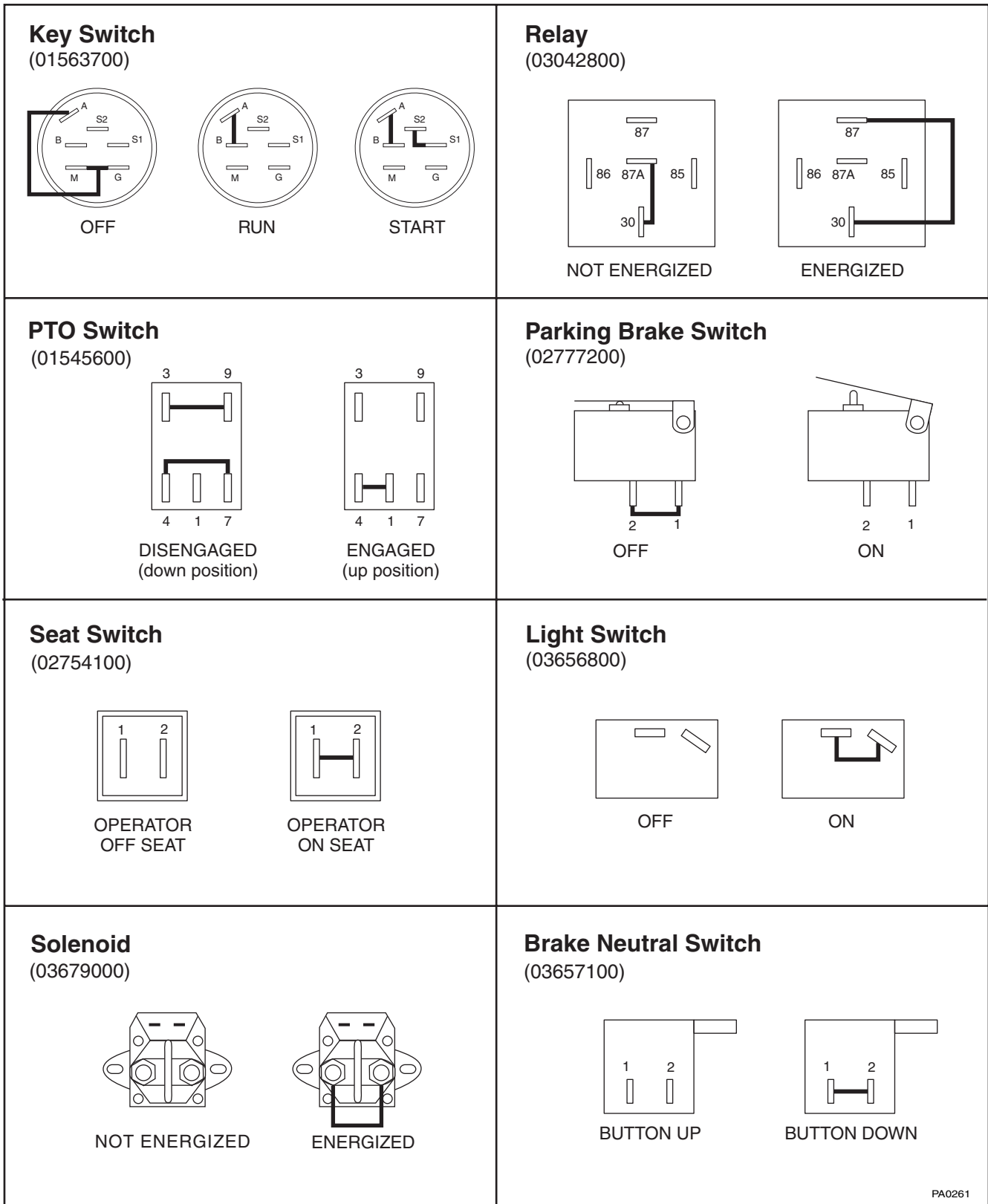
Model 927060, 062, 064

Item	Part No.	Qty.	Description
1	02460700	1	Key with Cap
2	045490	1	Cap, Ignition Switch
3	045489	1	Nut, Panel .625-32
4	01563700	1	Key Switch
5	03679000	1	Solenoid
6	039619	1	Insulator
7			Battery, Sealed Maintenance Free U1-330 (See Local Battery Supplier)
8	05946800	2	Bolt, Hex .25-20 x .75 Grade 5
9	06437300	2	Washer, Flat Steel .281 x .62 x .065
10	06308400	2	Washer, Locking .25 x .062 Regular
11	06533200	2	Nut, Hex .25-20
12	07533200	3	Boot, Eyelet Terminal
13	02727200	1	Cable, Positive Battery
14	02727900	1	Starter Cable 13"
15	08840400	1	Starter Cable 16"
16	06530400	1	Nut, Spin Lock Flange .312-18
17	01545600	1	Switch, Clutch With Retainer
18	02776200	1	Harness, Wire
19	07412100	2	Screw, Tapping 10-24 x .375 Hex Washer Head
20	036313	1	Cable Tie
21	02754100	1	Switch- Snap Mounting (N.O.)
22	09293500	2	Diode, Connector Shell
23	09351100	1	Fuse, 25 AMP
24	040216	1	Relay
25	02777200	1	Switch, Parking Brake
26	05980000	2	Screw, Machine 2-56 x .75
27	06545000	2	Nut, Nylock 2-56
28	72702700	1	Light Kit (Optional)
29	03657100	1	Switch- Single Pole (N.O.)
30	02781100	1	Jumper, Harness

CONTINUITY DIAGRAM

Model 927060, 062, 064

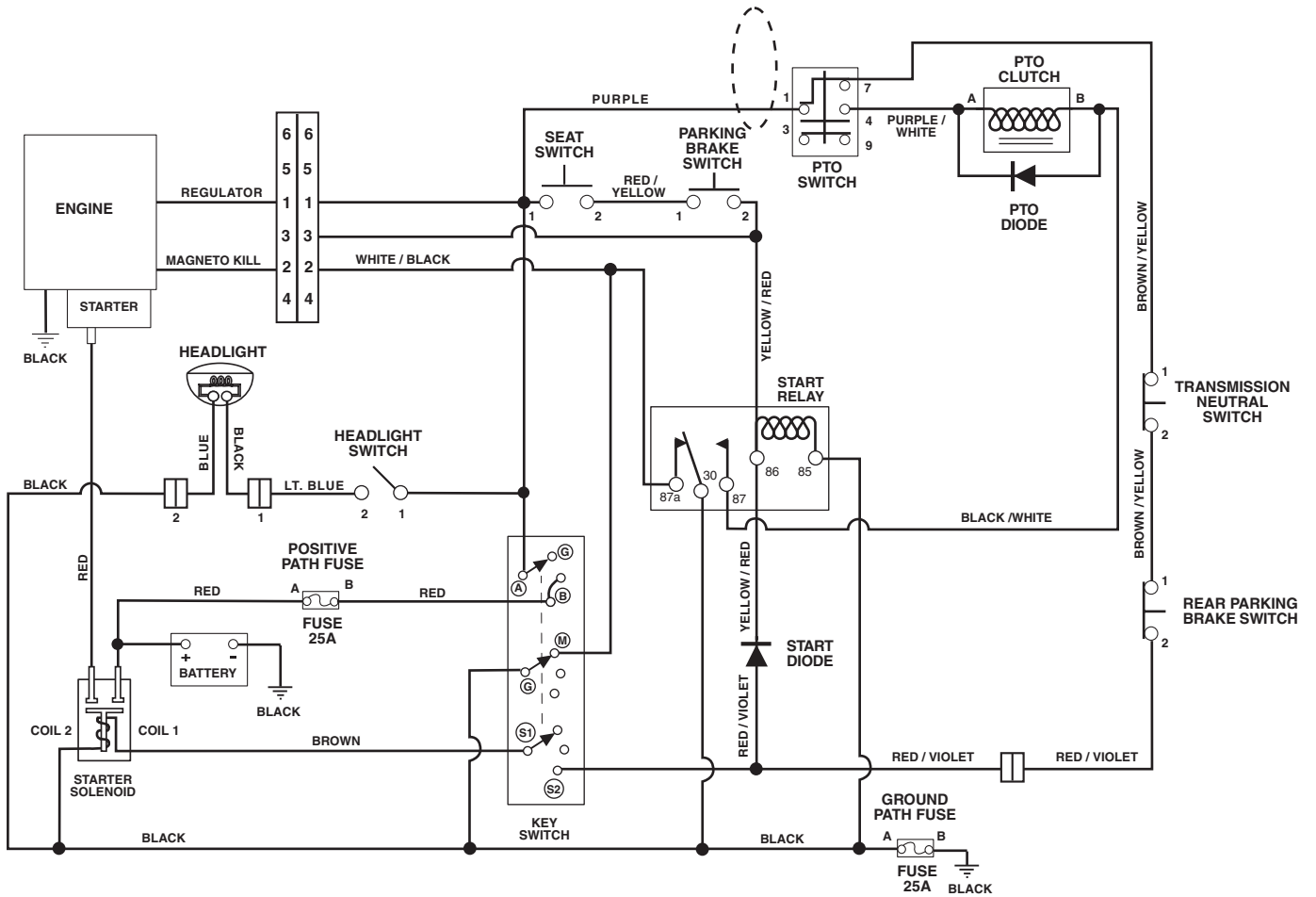
The diagrams below show the various states of connection for electrical components.
 The solid lines on switches show continuity.
 NOTE: All switches are viewed from the rear.



PA0261

WIRING DIAGRAM

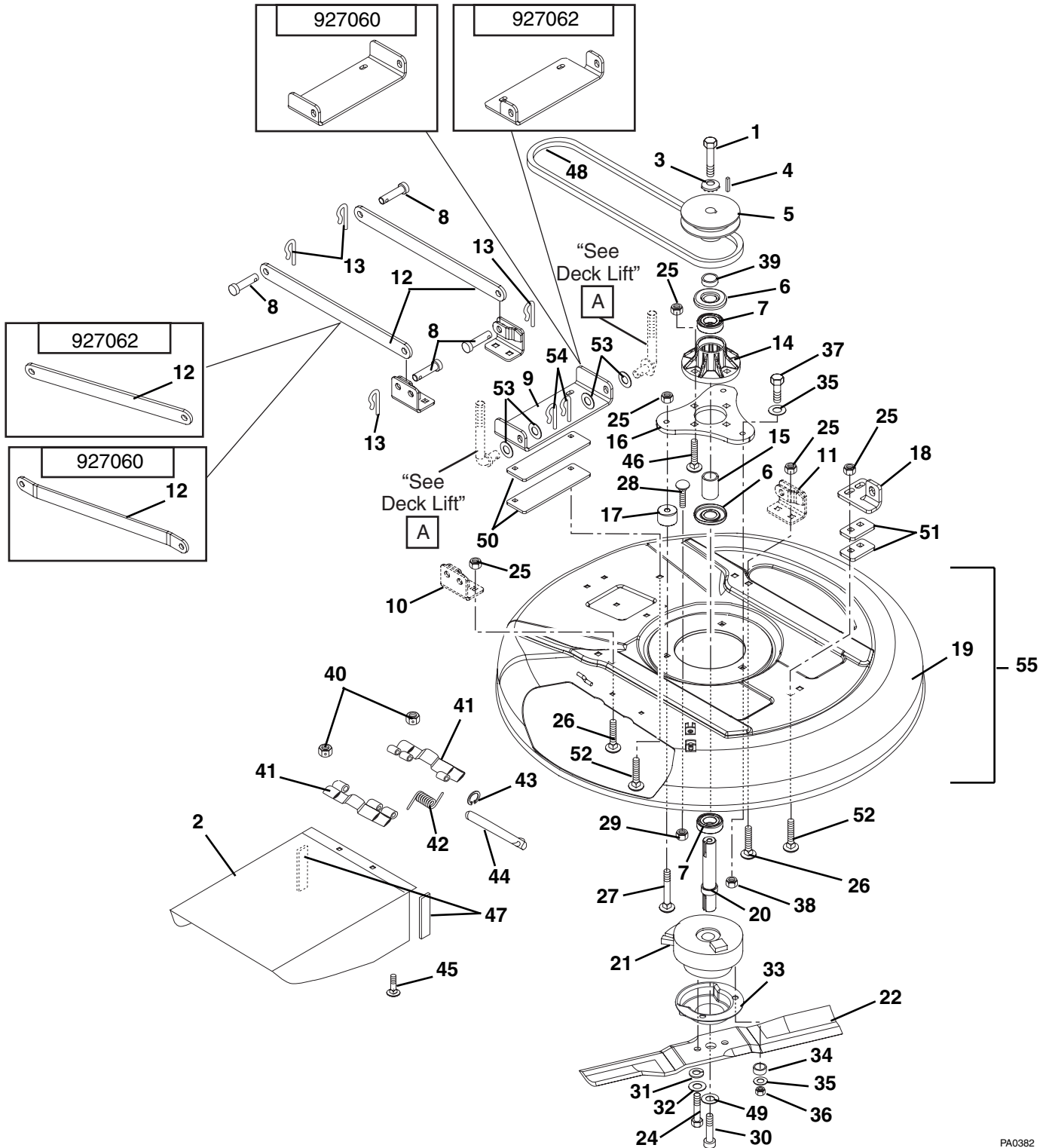
Model 927060, 062, 064



PA0271

28" AND 32" DECK, IDLERS AND BLADES

Model 927060, 062



PA0382

Item	Part No.	Qty.	Description
1	05974500	1	Bolt, Hex .38-16 x 1.00 Grade 8 with Epoxy Patch
2	02776051	1	Chute, 28" (060)
	02773551	1	Chute, 32" (062)
3	00597000	1	Washer, Cupped Serrated .375
4	06611100	1	Key, Square .25 x .38 x .25

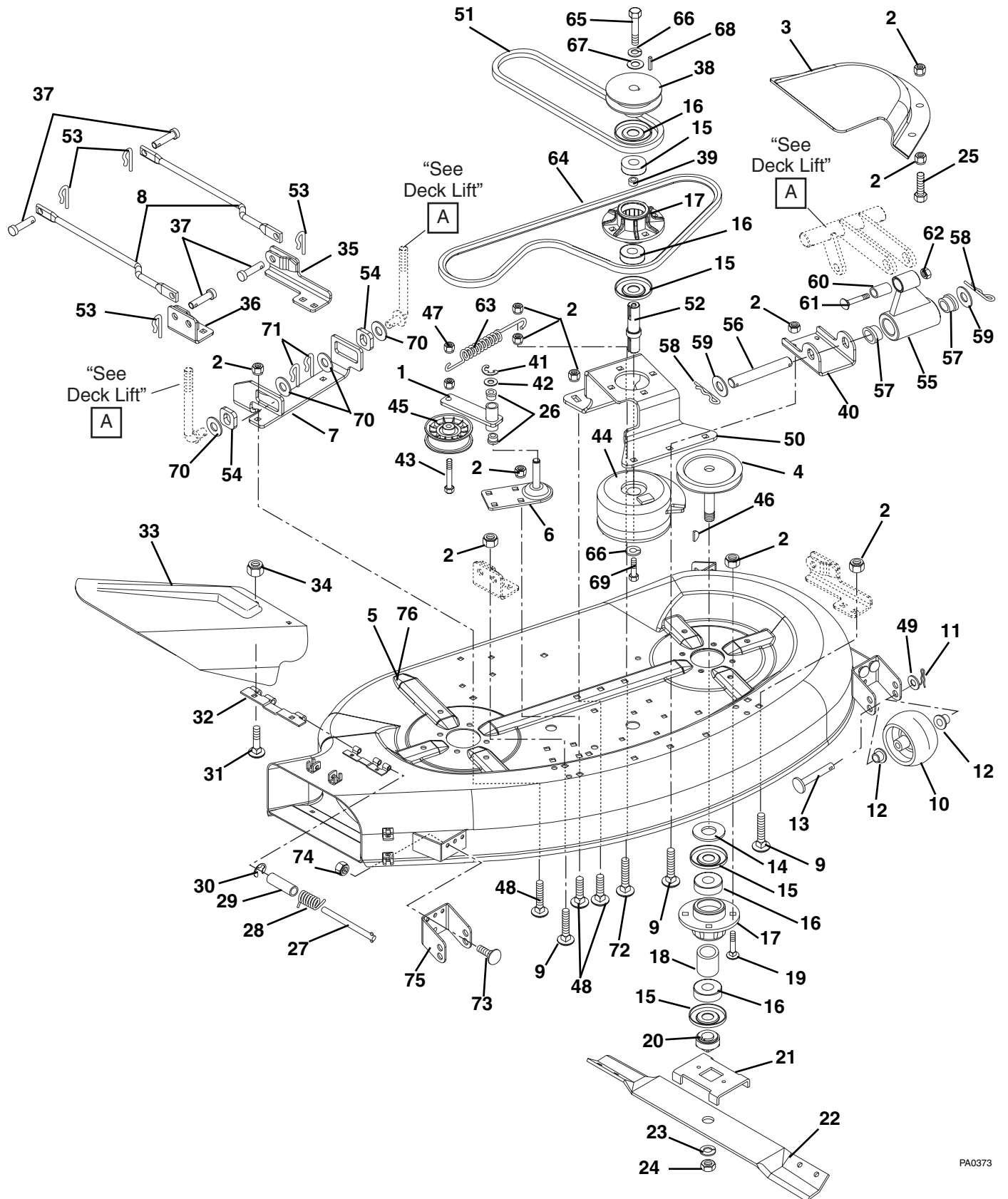
28" AND 32" DECK, IDLERS AND BLADES

Model 927060, 062

Item	Part No.	Qty.	Description
5	02776100	1	Pulley, 28" Deck Input (060)
	02775600	1	Pulley, 32" Deck Input (062)
6	01572700	2	Bearing, Slinger
7	032050	2	Bearing, Ball 1.00 x 2.00 x .56
8	06817400	4	Pin, Clevis .494 x 1.00
9	02780651	1	Bracket, Rear Hanger 28" (060)
	02780351	1	Bracket, Rear Hanger 32" (062)
10	02767451	1	Bracket, Deck Link Right Hand (060)
	02763751	1	Bracket, Deck Link Right Hand (062)
11	02763751	1	Weldment, Deck Link Right Hand (060)
	02763851	1	Weldment, Deck Link Left Hand (062)
12	02767651	1	Link-Stabilizer (Right Hand Only) (060)
	02764351	1	Link Stabilizer (060)
	02764351	2	Link Stabilizer (062)
13	06944800	4	Clip, Spring
14	62727400	1	Assembly, Spindle Housing
15	01590500	1	Spacer, 1.00 x 1.25 x 1.60
16	02764251	1	Spindle, Mount Plate
17	02763100	3	Spacer, Mounting Plate
18	02780751	1	Bracket, Front Lift Hanger (060)
	02780351	1	Bracket, Front Lift Hanger (062)
19	02767951	1	Deck, 28" (060)
	02764151	1	Deck, 32" (062)
20	02774300	1	Shaft, 32" Input
21	02763200	1	Clutch, 32" Decks
22	01600600	1	Blade, 28" Mower (060)
23	02774500	1	Blade, 32" Mower (062)
24	05979600	2	Bolt, Hex M10 x 1.25 x 30
25	06544500	13	Nut, Locking Top Flange .38-16
26	06227000	4	Bolt, Round Head Square Neck .38-16 x .75 Grade 5
27	06226800	1	Bolt, Round Head Square Neck .38-16 x 2.25 Grade 5
28	06212100	1	Bolt, Round Head Square Neck .31-18 x 1.50 Grade 5
29	06530400	1	Nut, Spin Lock Flange .312-18
30	05979800	1	Bolt, Button Head .50 x 1.25-20
31	06304600	2	Washer, Locking Metric 10 MM
32	06444000	2	Washer, Flat Steel .406 x 1.00 x .188
33	02774600	1	Shield, Debris
34	00520100	2	Bushing, Bronze .75 I.D. x .88 O.D. x .50 Long
35	06435700	4	Washer, Flat Steel .38 x .875 x .083
36	06535800	2	Nut, Locking Nylon .38-16
37	05958300	2	Bolt, Hex .38-16 x 3.00 Grade 5
38	06534900	2	Nut, Flange .375-16
39	022501	1	Spacer Steel 1.01 x 1.38 x .509
40	06527600	4	Nut, Locking Center .25-20
41	02709500	2	Hinge Plate
42	040368	1	Spring, Torsion .09 x .37 x .63
43	05706300	1	Ring, Retaining External .312 x .025
44	03624200	1	Pin
45	06219900	4	Bolt, Round Head Square Neck .25-20 x .75 Grade 5
46	06224100	4	Bolt, Round Head Square Neck .38-16 x 1.25 Grade 5
47	00910400	2	Trim Bulk 0125
48	07242500	1	Belt, PTO (060)
	07242400	1	Belt, PTO (062)
49	06447700	1	Washer, Flat Steel .50 x 1.75 x .187
50	02780851	2	Plate, 32" Deck Spacer
51	02780951	2	Plate, 32 Deck Front Hanger
52	06227700	4	Bolt, Round Head Square Neck .38-16 x 1.25
53	06441800	4	Washer, Flat Steel .518 x 2.00 x .105
54	06714900	2	Pin, Hair External- #11
55	52711400	AR	Kit, 28" Deck Assembly Service (060)
	52711300	AR	Kit, 32" Deck Assembly Service (062)

40" DECK, BELTS, BLADES AND IDLERS

Model 927064



PA0373

40" DECK, BELTS, BLADES AND IDLERS

Model 927064

Item	Part No.	Qty.	Description
1	02769200	1	Weldment, Idler
2	06544500	16	Nut, Locking Top Flange .38-16
3	02781200	2	Cover, 40" Deck Sheave
4	03615400	1	Sheave, Left Spindle
	03615300	1	Sheave, Right Spindle
5	02769600	1	Deck, 40"
6	02769300	1	Bracket, Idler Mount
7	02778500	1	Bracket, Rear Hanger
8	02769700	1	Link, Stabilizer 40" Deck
9	06226600	7	Bolt, Round Head Square Neck .38-16 x 1.00 Grade 55
10	050825	3	Roller
11	06713500	3	Pin, Hair Internal .08 x .18 x 1.18
12	036241	6	Bushing, Flange .372 x .500 x .312 x .625
13	02747500	3	Clevis Pin .368/.373 x 3.25
14	06444200	2	Washer, Flat Steel .755 x 1.25 x .125
15	00341900	6	Bearing Slinger
16	035925	6	Bearing, Ball .750 x 1.781 x .61
17	03625000	3	Spindle Housing
18	035971	3	Spacer .751 x 1.00 x 1.14
19	06223600	8	Bolt, Round Head Square Neck .38-16 x 1.0 Grade 5
20	039559	2	Retainer Hub
21	03485500	2	Blade Tray 48
22	03624700	2	Blade
23	06310300	2	Washer, Lock .75 x .188
24	06537700	2	Nut, Jam .75-10
25	05948700	2	Bolt, Hex .38-16 x 1.00 Grade 5
26	036057	2	Bushing, Flange .500 x .625 x .312 x .75
27	03624200	1	Pin
28	08307200	1	Spring, Torsion .095 x .50 x 1.00
29	035997	1	Bushing
30	05706300	1	Ring, Retaining External .313 x .025
31	06214300	2	Bolt, Round Head Square Neck .25-20 x .50
32	02709551	1	Hinge Plate
33	03609800	1	40 In Deflector
34	06527600	2	Nut, Locking Flange .25-20 Grade F
35	02769800	1	Bracket, Deck Link Left Hand
36	02763700	1	Bracket, Deck Link Right Hand
37	06817400	4	Pin, Clevis .494 x 1.00
38	02779000	1	Pulley, 40" Deck Input
39	035971	1	Spacer .75 x 1.00 x 1.14
40	02778300	1	Bracket, Front Hanger
41	05710200	1	Ring, Retaining External .50 x .042
42	06436600	1	Washer, Flat Steel .505 x .880 x .072
43	05962900	1	Bolt, Hex .38-16 x 2.25 Grade 5

40" DECK, BELTS, BLADES AND IDLERS (CONT.)

Model 927064

Item	Part No.	Qty.	Description
44	03643100	1	Electric Clutch/Brake
45	07309300	1	Idler, Flat 3.00 x .38
46	06604200	2	Key, Woodruff .188 x .625 x .31
47	06534900	1	Nut, Locking Center .375-16
48	06227000	12	Bolt, Round Head Square Neck .38-16 x .75 Grade 5
49	06221800	4	Bolt, Round Head Square Neck .31-18 x 1.00
50	02768600	1	Bracket, Spindle Housing Mount
51	07242600	1	Belt, 40" Deck PTO
52	02778600	1	Input Shaft 40" Deck
53	06944800	4	Clip, Spring
54	02778400	2	Slider, Hanger Bracket
55	02779700	1	Link, Front Lift
56	02780000	1	Pivot, Front Lift Lower
57	01591100	2	Bushing, 1.00 x .75 x 1.00
58	06712200	2	Pin, Hair
59	035640	2	Washer, Flat Steel .75 x 1.47 x .134
60	05516400	1	Bushing, Sleeve .50 x .75 x 1.56
61	06223700	1	Bolt, Round Head Square Neck .50-13 x 2.75
62	06519700	1	Nut, Locking Center Jam .50-13
63	011263	1	Spring, Tension .095 x .50 x 5.50
64	041200	1	V-Belt A-Section 12.58 x .48
65	05974500	1	Bolt, Hex .38-16 x 01.00 Grade 8 with Epoxy Patch
66	06306500	2	Washer, Locking .375 x .115 Heavy
67	06442400	1	Washer, Flat Steel .406 x 1.375 x .135
68	06606000	1	Key, Square.187 x .50 x .187 Hardened
69	05958600	1	Bolt, Hex .38-24 x 2.00
70	06441800	4	Washer, Flat Steel .518 x 2.00 x .105
71	06714900	2	Pin, Hair External
72	06224300	1	Bolt, Round Head Square Neck .38-16 x 2.00 Grade 5
73	06212200	6	Bolt-Round Head Square Neck .31-18 x .62
74	06530400	6	Nut, Spin Lock Flange .312-18
75	02747600	3	Roller Clevis
76	52711200	AR	Kit, 40" Deck Assembly Service



GRAVELY

A Division of Ariens Company

655 West Ryan Street

P.O. Box 157

Brillion, WI 54110-0157

920-756-2141

Fax 920-756-2407

www.gravelly.com